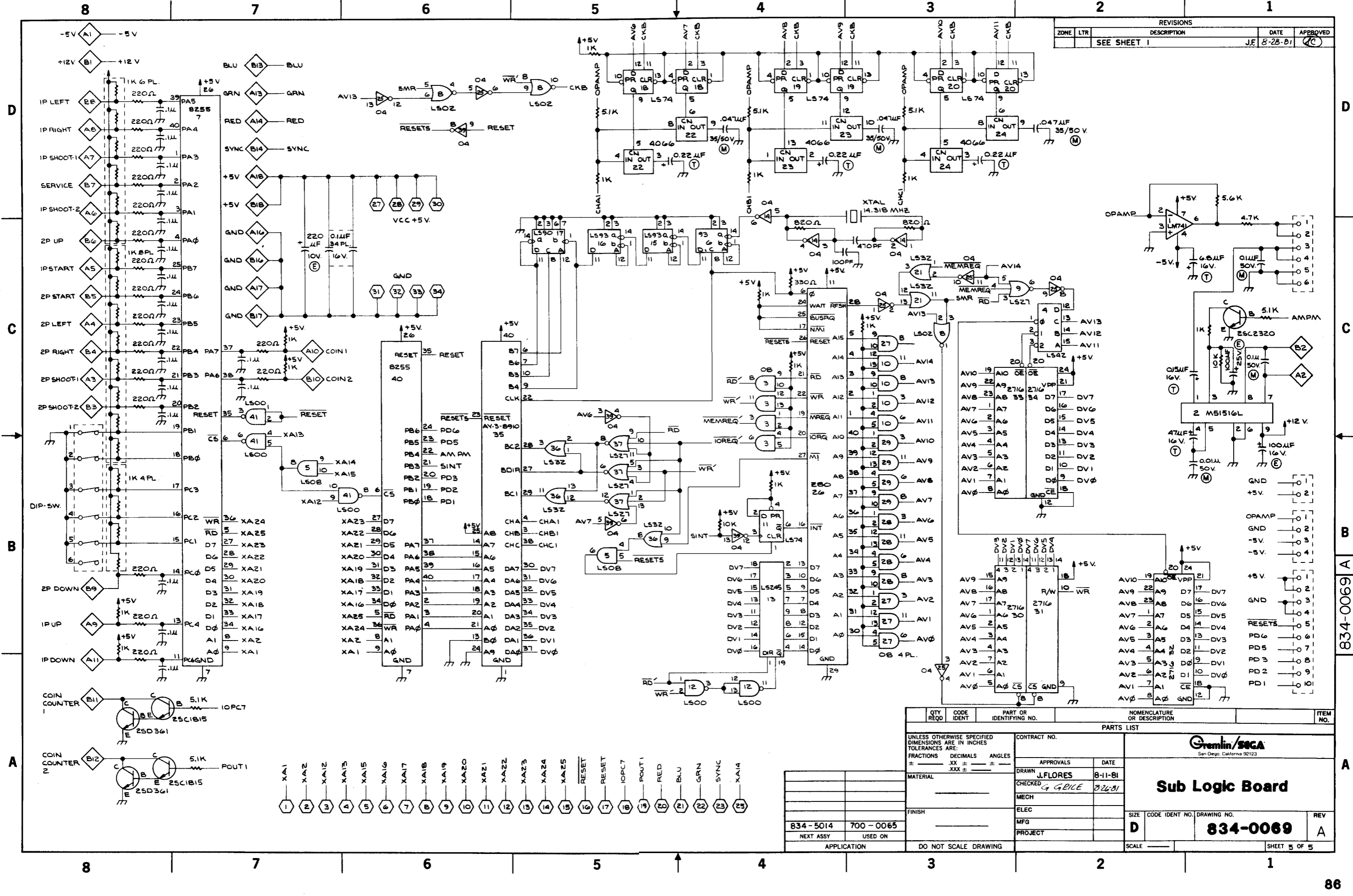


ZONE		LTR		REVISIONS		DATE	APPROVED
SEE SHEET 1						J.F. 8-28-81	(C)



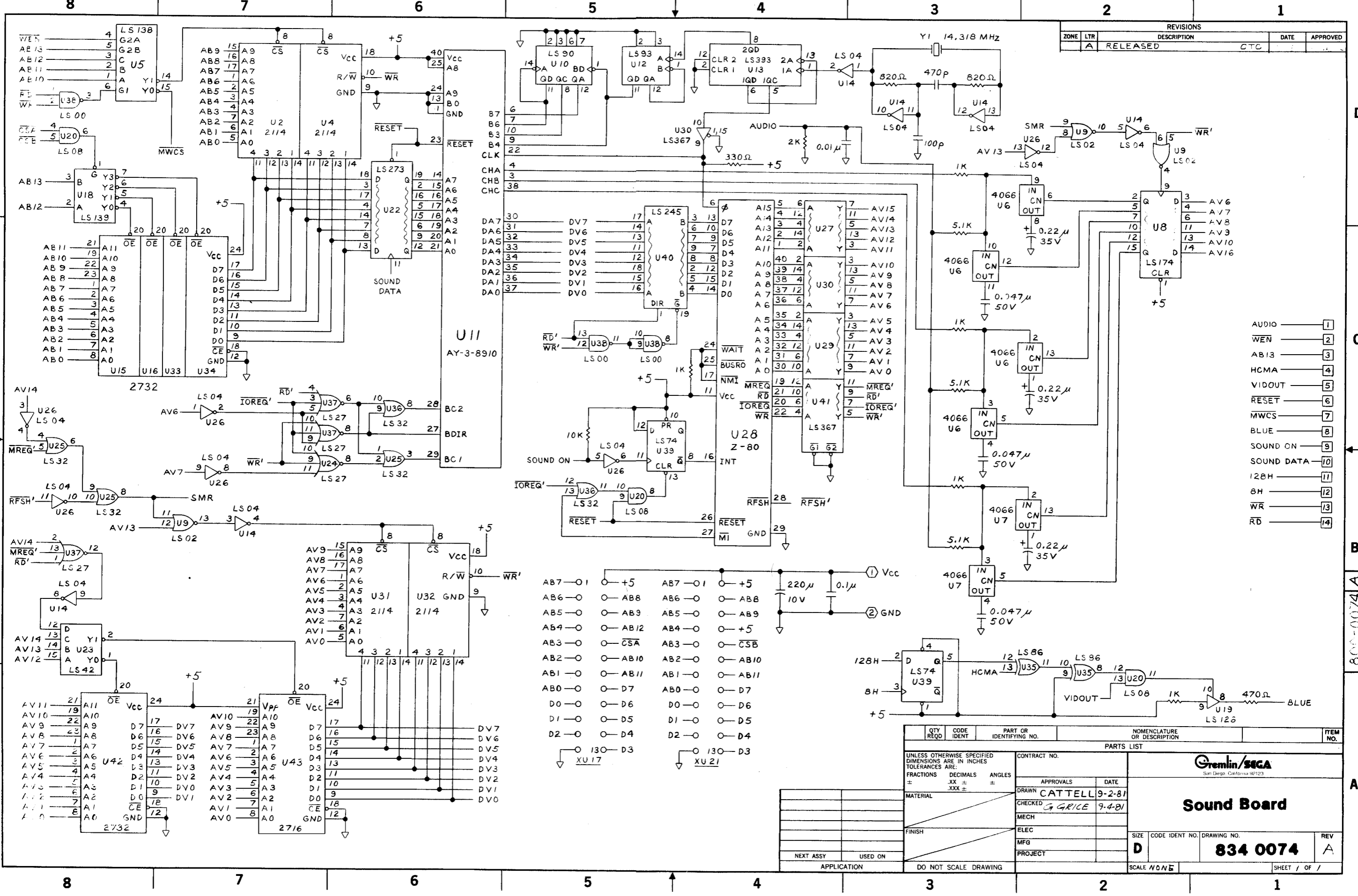
QTY REQD	CODE IDENT	PART OR IDENTIFYING NO.	NOMENCLATURE OR DESCRIPTION	ITEM NO.
PARTS LIST				
UNLESS OTHERWISE SPECIFIED DIMENSIONS ARE IN INCHES TOLERANCES ARE:				
FRACTIONS	DECIMALS	ANGLES		
±	.XX ±	±		
	.XXX ±			
MATERIAL			CONTRACT NO.	
FINISH			APPROVALS	
834-5014			J.FLORES 8-11-81	
NEXT ASSY USED ON			CHECKED G. GEILE 8-26-81	
APPLICATION			MECH	
DO NOT SCALE DRAWING			ELEC	
			MFG	
			PROJECT	
			SIZE CODE IDENT NO. DRAWING NO.	
			D 834-0069	
			REV A	
			SCALE	
			SHEET 5 OF 5	

Gremlin/SEGA  
San Diego, California 92123

**Sub Logic Board**

834-0069

834-0069 | A | B | C | D

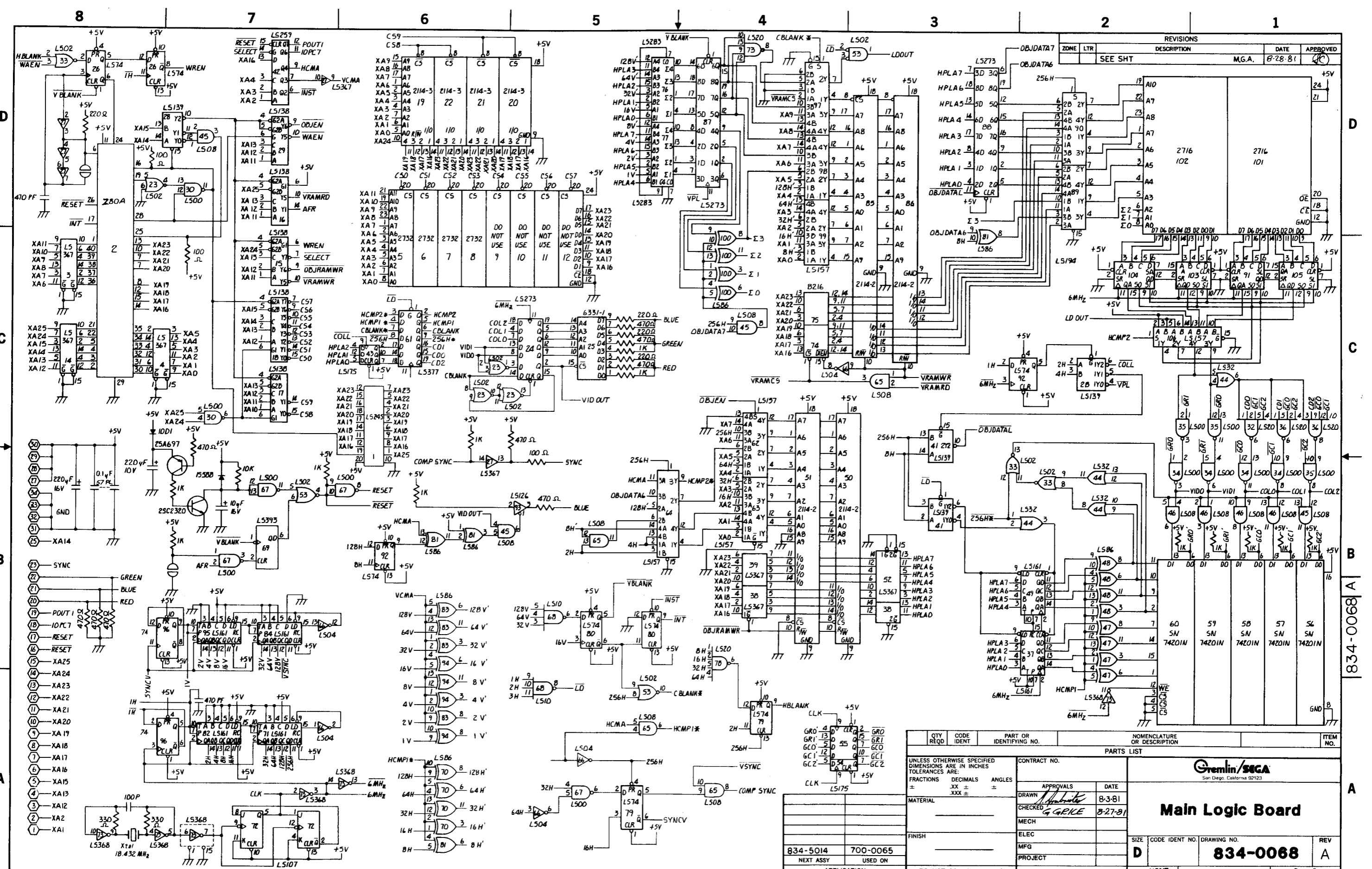


REVISIONS				
ZONE	LTR	DESCRIPTION	DATE	APPROVED
A	RELEASED		CTC	

- AUDIO — 1
- WEN — 2
- AB13 — 3
- HCMA — 4
- VIDOUT — 5
- RESET — 6
- MWCS — 7
- BLUE — 8
- SOUND ON — 9
- SOUND DATA — 10
- 12BH — 11
- 8H — 12
- WR — 13
- RD — 14

PARTS LIST				
QTY REQD	CODE IDENT	PART OR IDENTIFYING NO.	NOMENCLATURE OR DESCRIPTION	ITEM NO.
			UNLESS OTHERWISE SPECIFIED DIMENSIONS ARE IN INCHES TOLERANCES ARE:	
			FRACTIONS	DECIMALS
			ANGLES	ANGLES
			± .XX ±	± .XXX ±
			CONTRACT NO.	
			APPROVALS DATE	
			DRAWN CATTELL 9-2-81	
			CHECKED G GRICE 9-4-81	
			MECH	
			ELEC	
			MFG	
			PROJECT	
			SIZE	CODE IDENT NO. DRAWING NO.
			D	834 0074
			SCALE NONE	REV A
				SHEET / OF /

800-0074A



REVISIONS			
ZONE	LTR	DESCRIPTION	DATE
		SEE SHT	M.G.A. 8-28-81

QTY REQD		CODE IDENT		PART OR IDENTIFYING NO.		NOMENCLATURE OR DESCRIPTION		ITEM NO.			
UNLESS OTHERWISE SPECIFIED DIMENSIONS ARE IN INCHES TOLERANCES ARE:											
FRACTIONS		DECIMALS		ANGLES		±		±			
.XX ±		.XXX ±		° ±							
MATERIAL				CONTRACT NO.				APPROVALS		DATE	
								DRAWN		8-3-81	
								CHECKED		8-27-81	
								MECH			
								ELEC			
								MFG			
								PROJECT			
834-5014		700-0065		834-0068		Main Logic Board		SIZE		CODE IDENT NO. DRAWING NO.	
NEXT ASSY		USED ON		SCALE NONE		SHEET 5 OF 5					

834-0068 A