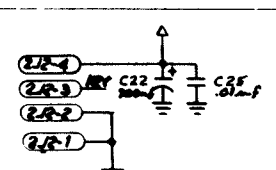
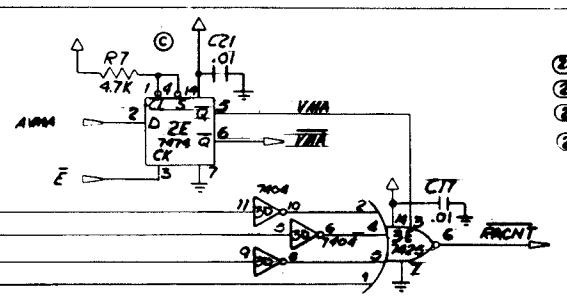
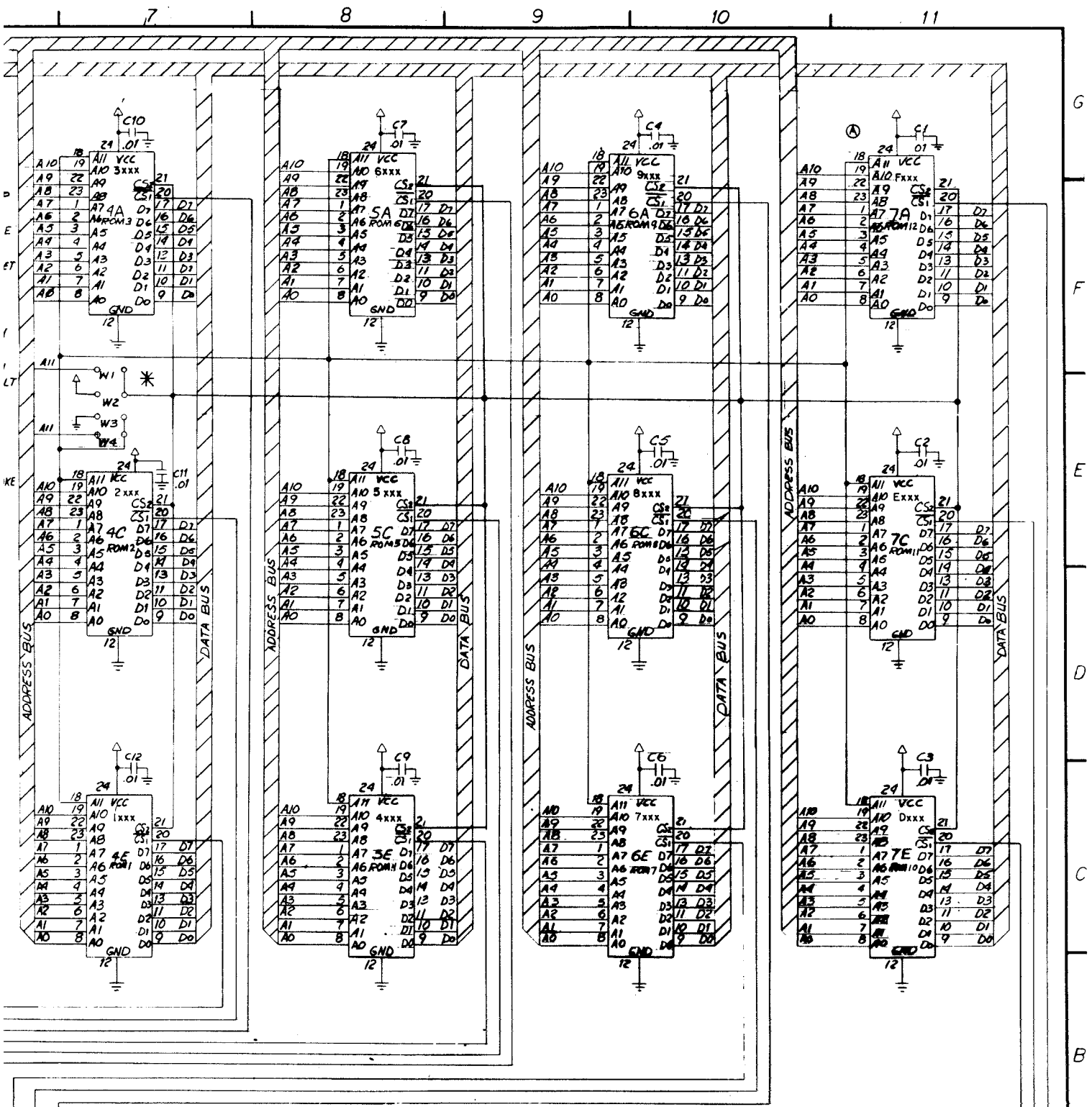


C	P1A, IC PINS 35 & 36 WAS GOING TO DATA-BUS. IC, 2E PIN 14 WAS 11, REVISED KCC70C2, 8-20-81, 76.5, E.C.O. 7644	C.D. 7/1/81
B	UPDATED SCHEMATIC SYMBOLS. WINNIE WAS WINNIE & ADDED MISSING 'A2EAS' CALLOUTS. IC ROM WAS ROM B, SC ROM WAS ROM S, AND EXCHANGED 'E F' CALLOUTS 8-4-81, J.C.C.	C.F. 6/1/81 E.C.N. 7342 8-14-81
A	7A WAS ROM D; 7E WAS ROM F. T-T-81, E.C., E.C.O. 7657	C.D. 7/1/81 P.H.N.
	NEW PARTS RELEASE 7709	C.D. 7/1/81
REVISION LETTER	REVISION	BY



\* W1, W3 - FOR 2732  
W2, W4 - FOR 2532

TOLERANCES		QTY.	ASSEMBLY USE
UNLESS OTHERWISE SPECIFIED			
RESISTORS	± 1%		
CAPACITORS	± 5%		
IC'S	± 1%		
WIRE	± 0.005"		
DRILLING	± 0.005"		
PLATING	± 0.005"		
FINISH	± 0.005"		
DATE	16-8808		

ROM Board Logic Diagram