

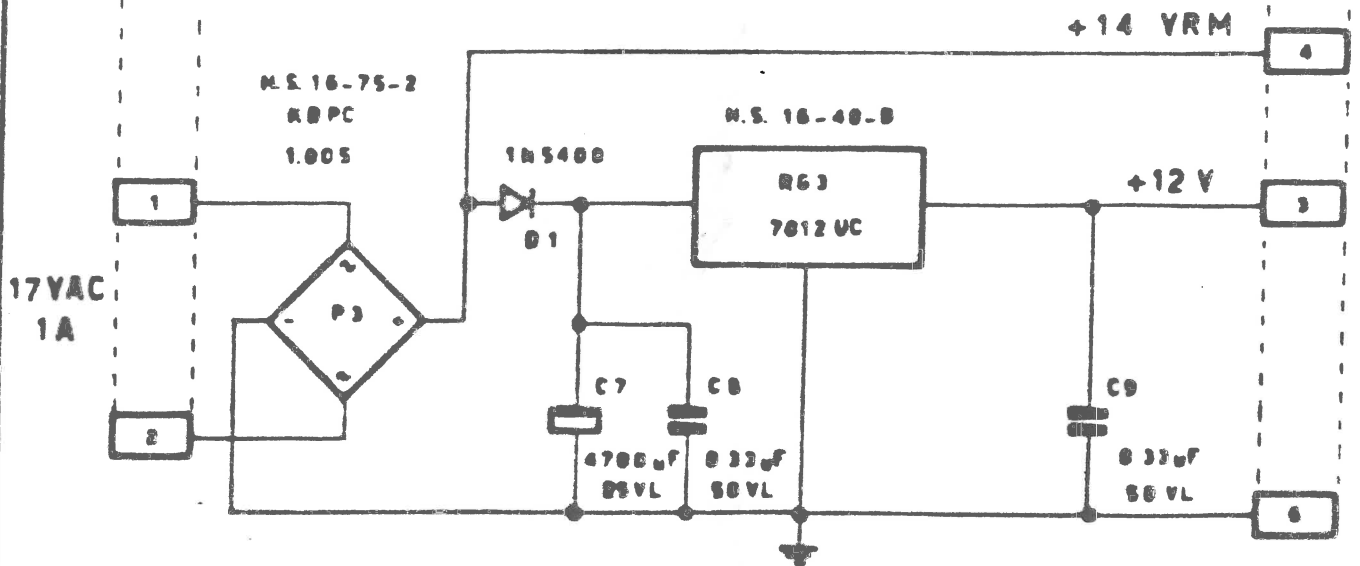
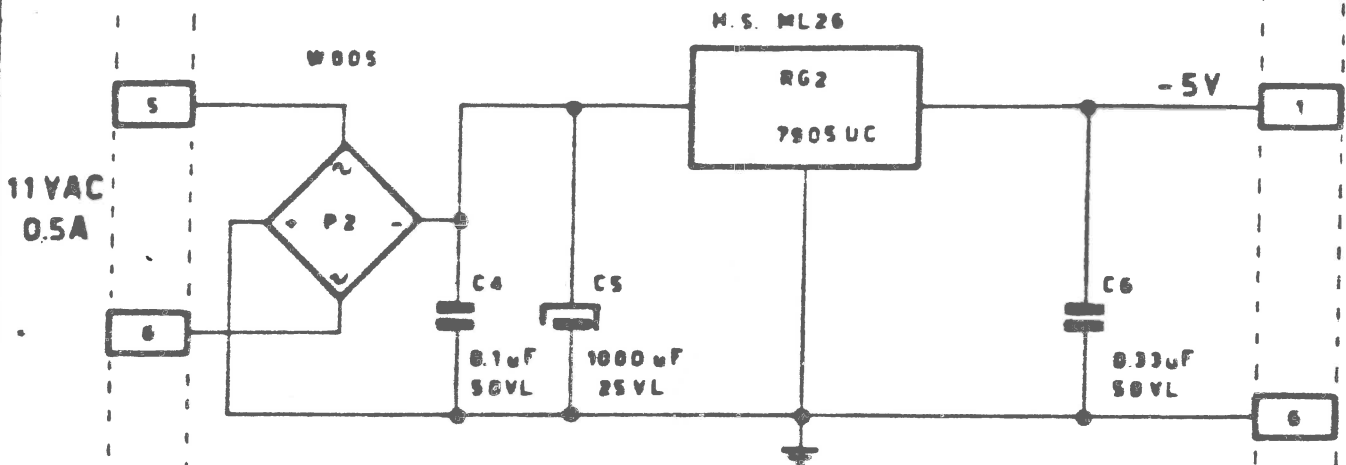
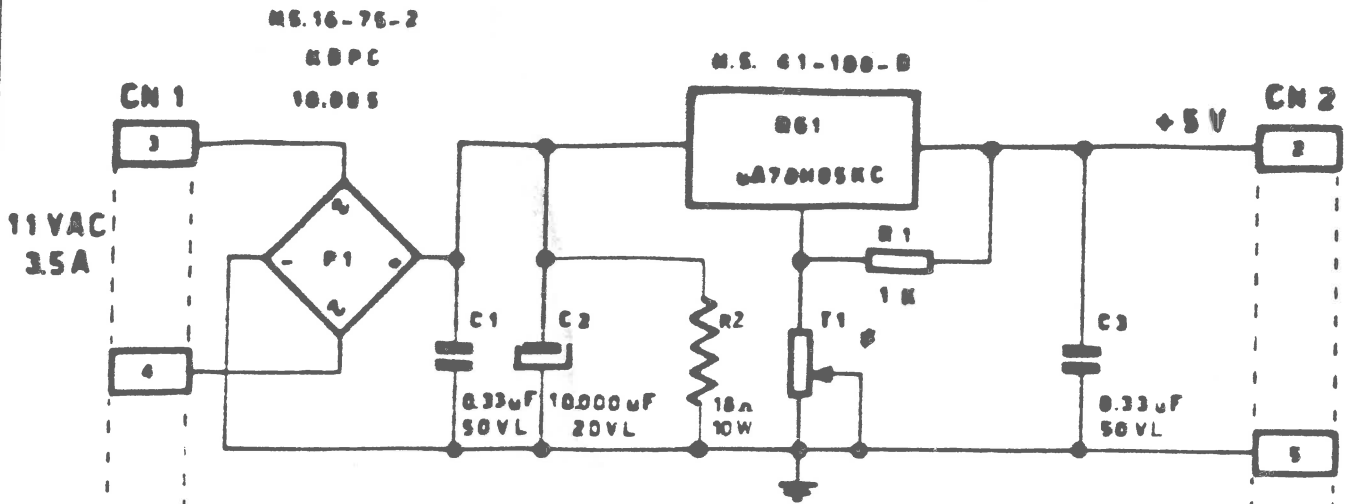
**technical manual for**

**MOON**

**CREST**

**ZACCARIA**

● 47 $\mu$  TRIMMER OR 22 $\mu$ V4 5% RESISTOR



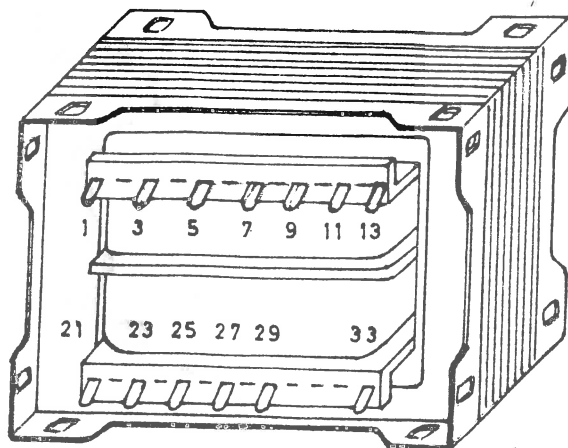
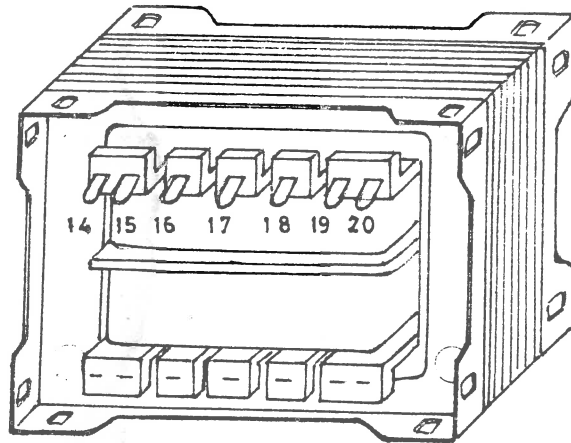
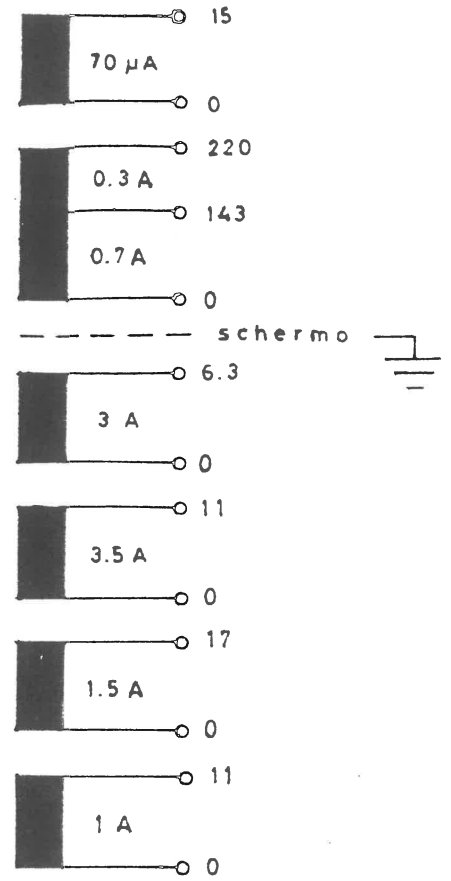
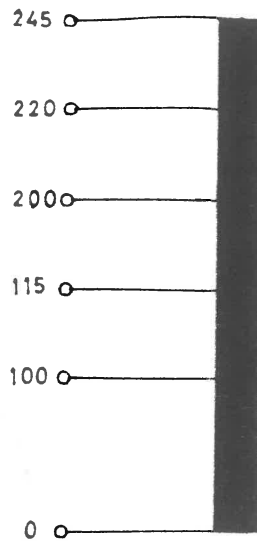
# ZACCARIA

CEC-043

ELECTRICAL DIAGRAM FOR  
POWER SUPPLY (1B1126)

TRASFORMATORE 2C 1005 C

| Tensioni  | Lung. fili<br>o pos. cap. |
|-----------|---------------------------|
| 0         | 33                        |
| 100       | 29                        |
| 115       | 27                        |
| 200       | 25                        |
| 220       | 23                        |
| 245       | 21                        |
|           |                           |
| 0         | 13                        |
| 15        | 11                        |
|           |                           |
| 0         | 9                         |
| 143       | 7                         |
| 220       | 5                         |
| schermo   | 20                        |
|           |                           |
| 0         | 3                         |
| 6,3       | 1                         |
|           |                           |
| 0         | 18                        |
| 11 (3.5A) | 19                        |
|           |                           |
| 0         | 16                        |
| 17        | 17                        |
|           |                           |
| 0         | 15                        |
| 11 (1A)   | 14                        |



SWITCHES ADJUSTMENT

|   |                    |                     |
|---|--------------------|---------------------|
| 1 | NOT USED           |                     |
| 2 | OFF<br>JAPAN WRITE | ON<br>ENGLISH WRITE |
| 3 | NOT USED           |                     |
| 4 | NOT USED           |                     |
| 5 | OFF                | ON                  |
| 6 | OFF                | ON                  |
|   | 1 COIN             | FREE                |
|   | 1 PLAY             | GAME                |

COIN SWITCH ADJUSTMENT

COIN MECHANISM 1

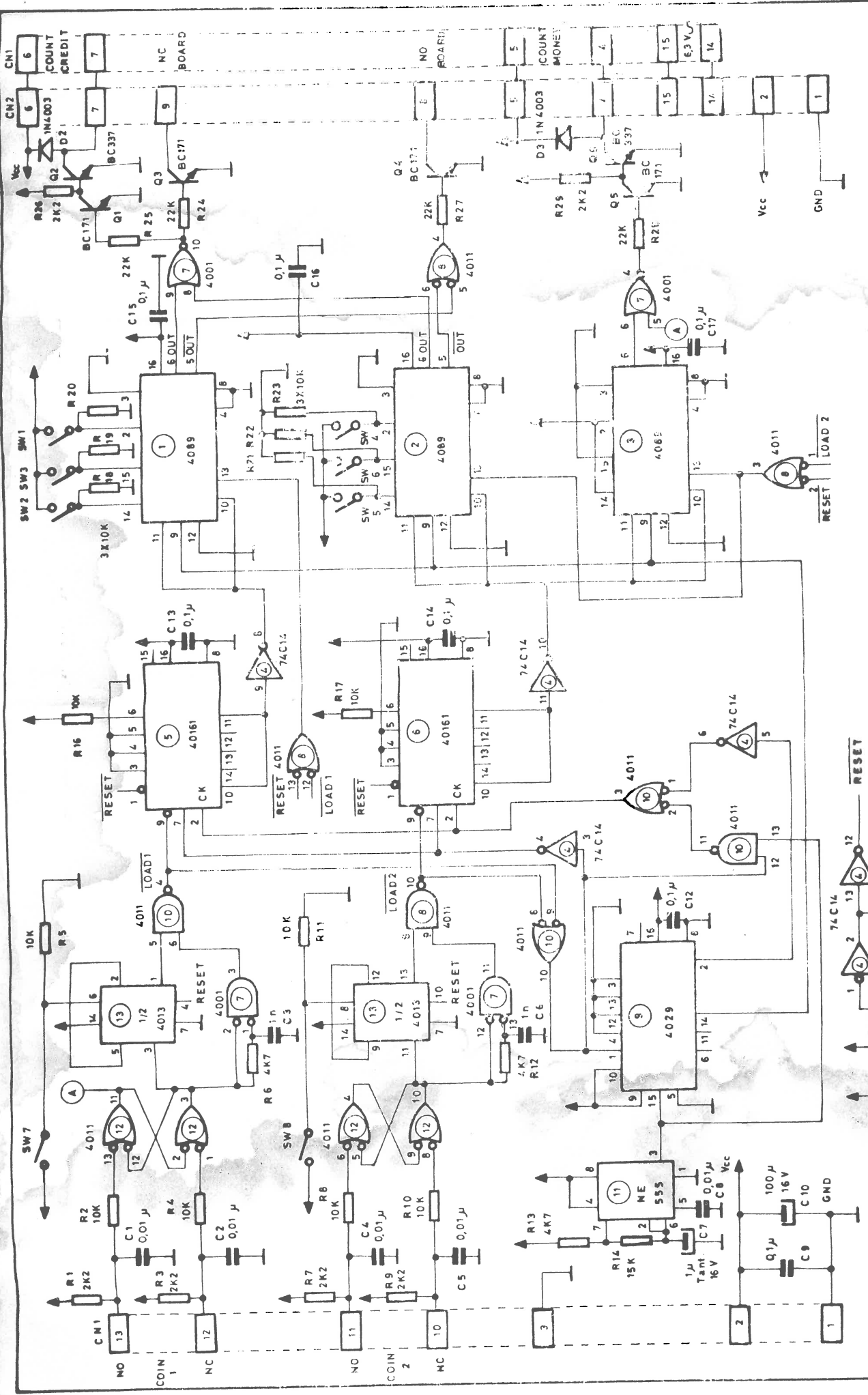
| 1   | 2   | 3   | 4   |                  |
|-----|-----|-----|-----|------------------|
| OFF | ON  | OFF | OFF | 2 COINS - 1 PLAY |
| OFF | ON  | OFF | ON  | 1 COIN - 1 PLAY  |
| OFF | OFF | ON  | ON  | 1 COIN - 2 PLAYS |
| OFF | ON  | ON  | ON  | 1 COIN - 3 PLAYS |
| ON  | OFF | OFF | ON  | 1 COIN - 4 PLAYS |
| ON  | ON  | OFF | ON  | 1 COIN - 5 PLAYS |
| ON  | OFF | ON  | ON  | 1 COIN - 6 PLAYS |
| ON  | ON  | ON  | ON  | 1 COIN - 7 PLAYS |

COIN MECHANISM 2

| 4   | 5   | 6   | 7   |                  |
|-----|-----|-----|-----|------------------|
| OFF | ON  | OFF | OFF | 2 COINS - 1 PLAY |
| OFF | ON  | OFF | ON  | 1 COIN - 1 PLAY  |
| OFF | OFF | ON  | ON  | 1 COIN - 2 PLAYS |
| OFF | ON  | ON  | ON  | 1 COIN - 3 PLAYS |
| ON  | OFF | OFF | ON  | 1 COIN - 4 PLAYS |
| ON  | ON  | OFF | ON  | 1 COIN - 5 PLAYS |
| ON  | OFF | ON  | ON  | 1 COIN - 6 PLAYS |
| ON  | ON  | ON  | ON  | 1 COIN - 7 PLAYS |

**ATTENTION :**

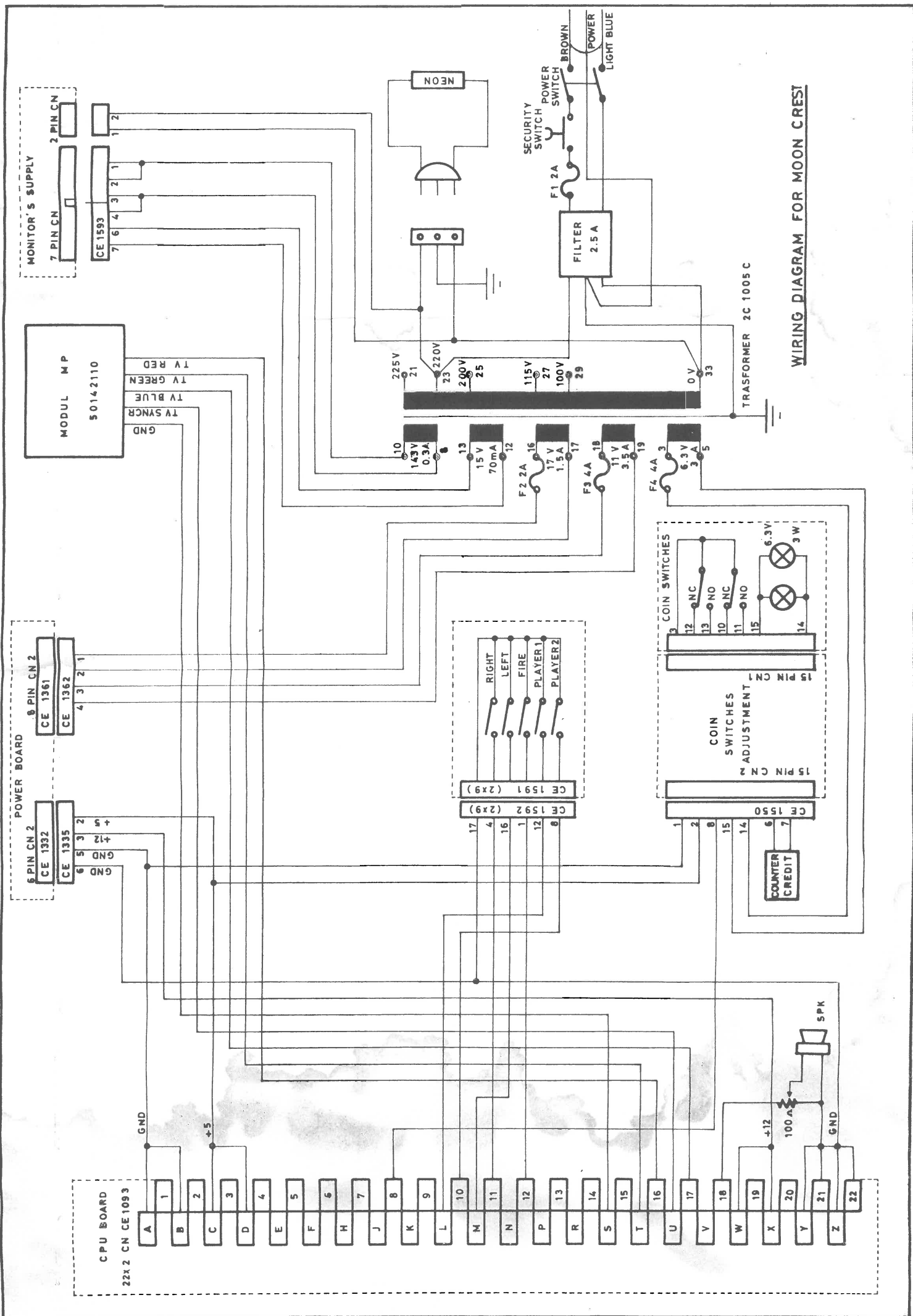
Do not use other possible combinations.



**ZACCARIA**

ELECTRICAL DIAGRAM  
FOR COIN SWITCHES  
ADJUSTMENT BOARD 18 1145

COD.  
18 1345



WIRING DIAGRAM FOR MOON CREST